

# SPIRAL SCREEN



## OVERVIEW

Kusters Water offers a complete line of in channel or in-tank screening systems. Each unit utilizes a perforated plate or v-wire screen section to effectively remove unwanted solids and debris from the influent. The screenings are transported via a shaftless conveyor to the compaction zone, where they are cleaned, dewatered, then finally discharged.

## FEATURES

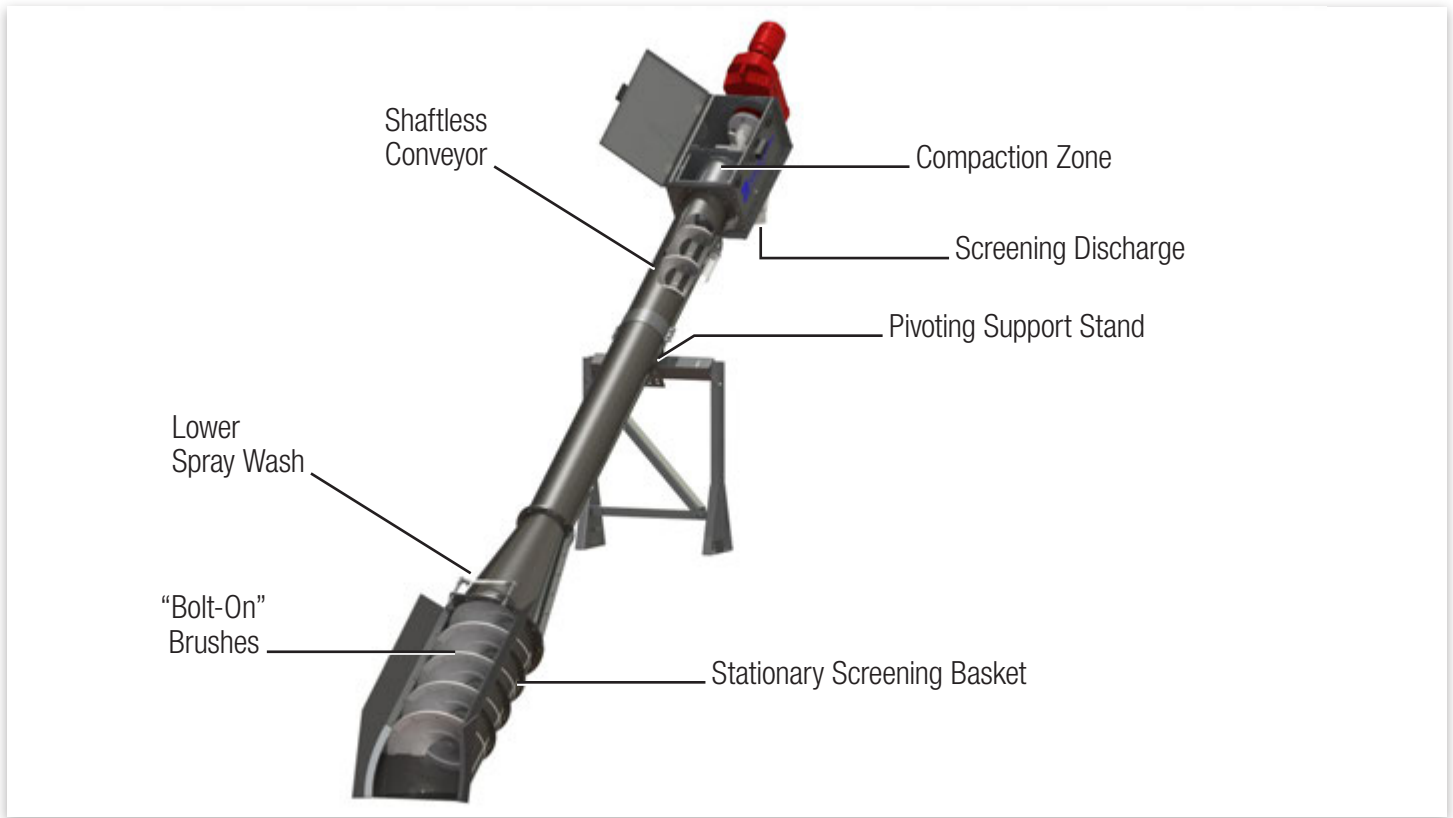
- Fits 10" – 36" Wide Channel
- 304 Stainless Steel Body
- Steel Shaftless Flighting
- Pivoting Stand For Easy Service
- Automated Control System
- Replaceable (sectional) Brushes
- High Efficiency Gear Reducer

## APPLICATIONS

- |                 |                 |
|-----------------|-----------------|
| Wastewater      | Tanneries       |
| Textiles        | Dairies         |
| Food Processing | Slaughter House |
| Bottling        | Meat Packing    |
| Pulp & Paper    | Snack Foods     |



**KUSTERS ■ WATER**  
a division of KUSTERS ZIMA



## OPTIONS

Weather Protection / Heating

Solids Bagger

Washing System

Stainless Steel Shaftless Flighting

Explosion Proof Operation

316 SStl Construction

In Channel Grinder



*Easily Replaceable "Bolt On" Brushes.*

For more information call **864.576.0660**  
or visit **kusterswater.com**



**KUSTERS ■ WATER**  
a division of KUSTERS ZIMA